



# AHV

High Voltage Power Supplies

## Model 5074

### Compact Multi-Output CRT Power Supply

#### Description

The American High Voltage Model 5074 was developed as a 1-inch CRT power supply for use in an integrated helmet and display sight system.

The 5074 is perfect for applications which require a high reliability, multiple output power supply in a demanding size constraint.

#### Features

- Arc, Short Circuit and Overvoltage Protection
- Remote Programming
- Ruggedized Modular Design
- EMI Suppression
- Compact Size



American High Voltage

2002 Idaho Street, Elko, NV 89801, USA

Phone- (775) 777-0992 Fax- (775) 777-3631

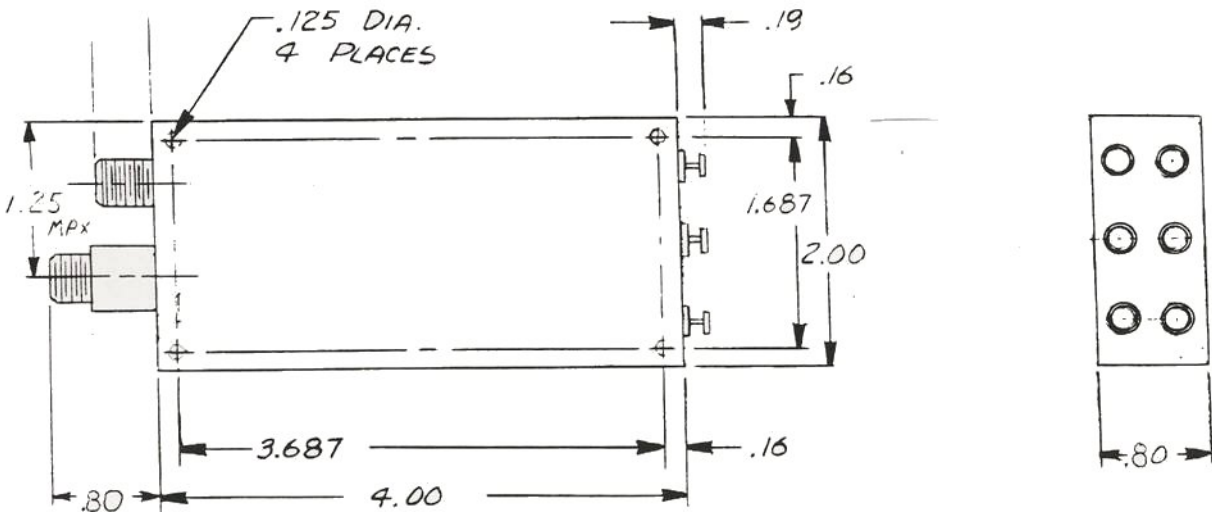
Email- [ahv@ahv.com](mailto:ahv@ahv.com) Web- [www.ahv.com](http://www.ahv.com)

## Compact Multi-Output High Voltage CRT Power Supply

### Electrical Characteristics

Input	
Voltage	22 to 29 VDC
Current	600mA MAX at F.L.
Anode	
Voltage	7.5 KVDC +/- 1%
Current	50uA MAX Load
Regulation	0.5% ½ Load to F.L.
Ripple	0.2% p to p at F.L.
Focus	
Voltage	1340 VDC +/- 2.5%
Level Adjust	+/-50 (Via Externally Accessible Trimpot)
Current	300uA MAX Load
Regulation	3% 0 to F.L.
Ripple	1% p to p at F.L.

G1	
Voltage	-75 VDC +/- 1VDC
Current	1mA
G2	
Voltage	190 VDC +/-2%
Current	1uA
Note	Output to be supplied through 100K Series Resistor
Programming	
Remote	0 to 13 VDC
Operating Temperature	
Range	-55 Deg. C to +71 Deg. C



Dimensions in Inches